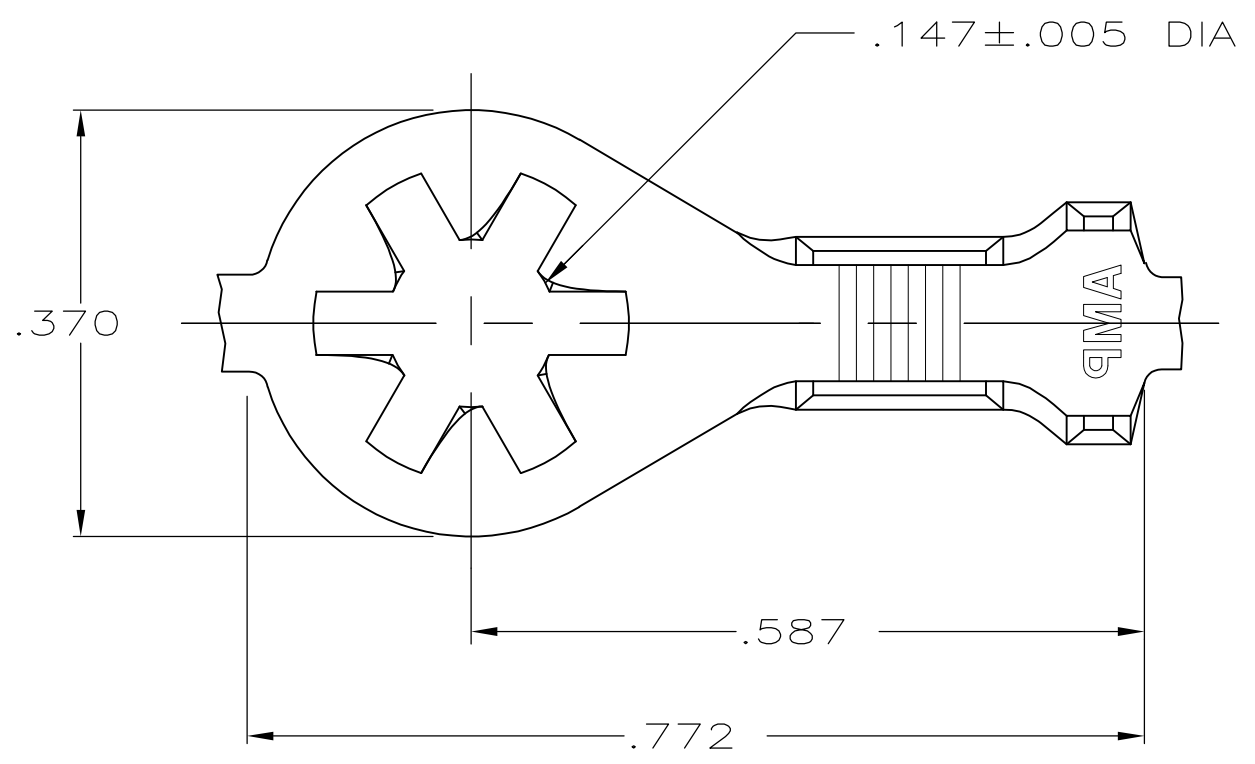
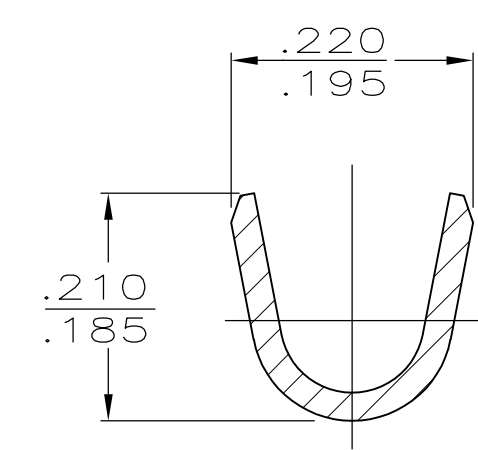
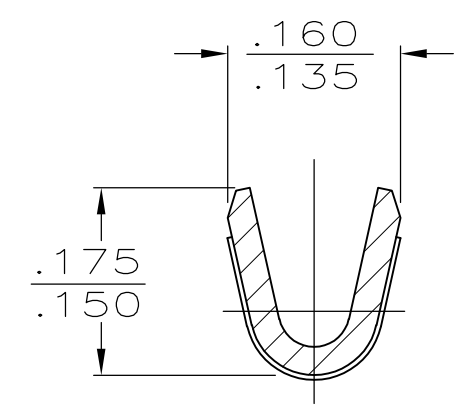


THIS DRAWING IS UNPUBLISHED. RELEASED FOR PUBLICATION
 © COPYRIGHT - By - ALL RIGHTS RESERVED.

| LOC | DIST | REVISIONS | | | |
|-----|------|-------------|---------------------------|---------|--------|
| P | LTR | DESCRIPTION | DATE | DWN | APVD |
| AF | 50 | K1 | REVISED PER ECO-11-004917 | 11MAR11 | RK HMR |

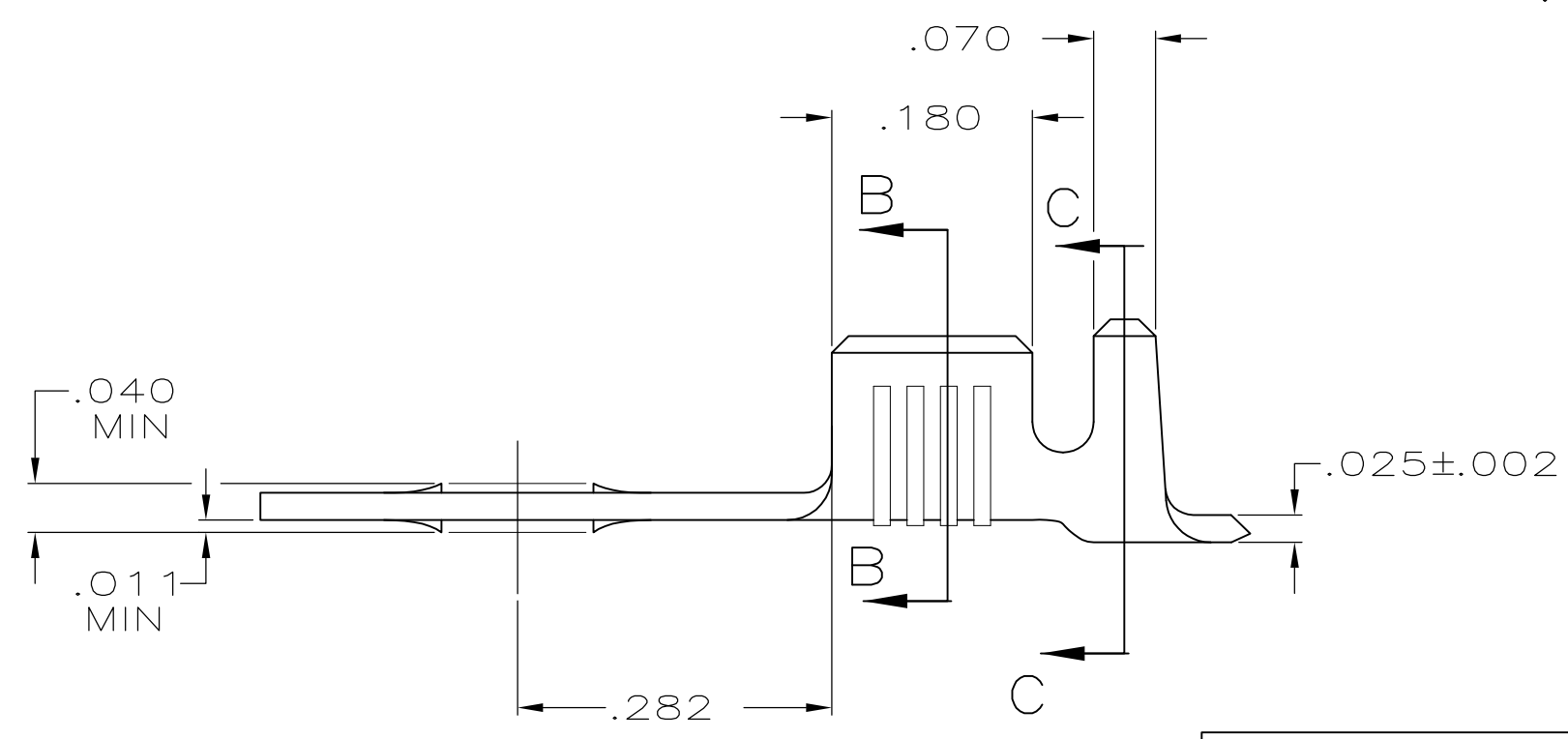


- 1 CONTINUOUS STRIP ON REELS
- 2 .000080 MIN TIN PLATE
- 3 .000150 MIN TIN PLATE
- 4 PRELIMINARY - NOT FOR PRODUCTION



SECTION B-B

SECTION C-C



| FINISH | INSULATION RANGE | WIRE SIZE | PART NO |
|-----------|------------------|-----------|-----------|
| 3 | .105-.145 | 18-14 | 4 61793-4 |
| NICKEL PL | .105-.145 | 18-14 | 4 61793-2 |
| 2 | .105-.145 | 18-14 | 61793-1 |

| | | | | | | | | | | | | | | | | |
|---|--------|--------------------------------|----------------------------|-----------------|--------------------|-----------------|-----|-------|--------|-------|-----|--------|-----|--------------|------|--|
| THIS DRAWING IS A CONTROLLED DOCUMENT. | | DWN 5/15/87 D HOLLINGSWORTH | STE TE Connectivity | | | | | | | | | | | | | |
| DIMENSIONS: INCHES | | CHK 11/23/87 G YETTER | | | | | | | | | | | | | | |
| TOLERANCES UNLESS OTHERWISE SPECIFIED: | | APVD 12/2/87 RP FRANTZ | NAME | | | | | | | | | | | | | |
| <table border="1"> <tr><td>0 PLC</td><td>± -</td></tr> <tr><td>1 PLC</td><td>± -</td></tr> <tr><td>2 PLC</td><td>± -</td></tr> <tr><td>3 PLC</td><td>± .015</td></tr> <tr><td>4 PLC</td><td>± -</td></tr> <tr><td>ANGLES</td><td>± -</td></tr> </table> | | 0 PLC | ± - | 1 PLC | ± - | 2 PLC | ± - | 3 PLC | ± .015 | 4 PLC | ± - | ANGLES | ± - | PRODUCT SPEC | RING | |
| 0 PLC | ± - | | | | | | | | | | | | | | | |
| 1 PLC | ± - | | | | | | | | | | | | | | | |
| 2 PLC | ± - | | | | | | | | | | | | | | | |
| 3 PLC | ± .015 | | | | | | | | | | | | | | | |
| 4 PLC | ± - | | | | | | | | | | | | | | | |
| ANGLES | ± - | | | | | | | | | | | | | | | |
| MATERIAL T2 STEEL | | FINISH SEE TABLE | SIZE A3 | CAGE CODE 00779 | DRAWING NO C-61793 | RESTRICTED TO - | | | | | | | | | | |
| CUSTOMER DRAWING | | | SCALE 6:1 | SHEET 1 OF 1 | REV K1 | | | | | | | | | | | |